

ELECTRIC ACTUATOR NA / NA-X

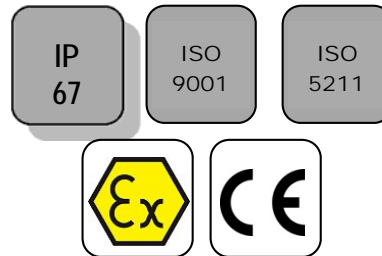
MAIN CHARACTERISTICS

The NA electric actuator is dedicated to the actuation of industrial 1/4 turn valve. The torque maximum value is 2500 Nm. With a strong design, an IP67 cast aluminium enclosure and an epoxy protection, the NA electric actuator is especially adapted to the actuation of ball valves and butterfly valves in outdoor or indoor areas. It's equipped with a declutchable handwheel and of torque limiter (Except NA06 and NA09). Numerous options are available. The NA-X type can be installed in explosive hazardous atmospheres 1 and 2. It complies with the standard EN 15714-2.

AVAILABLE MODELS

NA06 : 60 Nm to NA250 : 2500 Nm

Voltagages of supply : 230V AC, 400V AC, 24V AC, 24V CC



Type NA-X



LIMITS OF USE

Type	NA	NA-X
Indication of protection	IP 67	
Room temperature	- 20°C / +70°C	-20°C / +55°C
Duty Factor	S2-70%	
Hazardous atmosphère of use	Forbidden	Areas 1 to 2

MECHANICAL CHARACTERISTICS

Gear	Hard treated Steel pignons
Angle of rotation	90° +/- 5°
Declutch	By lever arm
Manual override	By handwheel
Torque limiter	Except NA06 and NA09

Actuator	NA06	NA09	NA15	NA28	NA38	NA60	NA100	NA150	NA200	NA250
Torque (Nm)	60	90	150	280	380	600	1000	1500	2000	2500
Time of operation (s)	17	17	20	24	24	29	29	87	87	87
ISO 5211	F07	F07	F07/F10	F10/F12	F10/F12	F12/F14	F12/F14	F14/F16	F14/F16	F14/F16
Star square	17	17	17	22	27	27	27	36	36	46

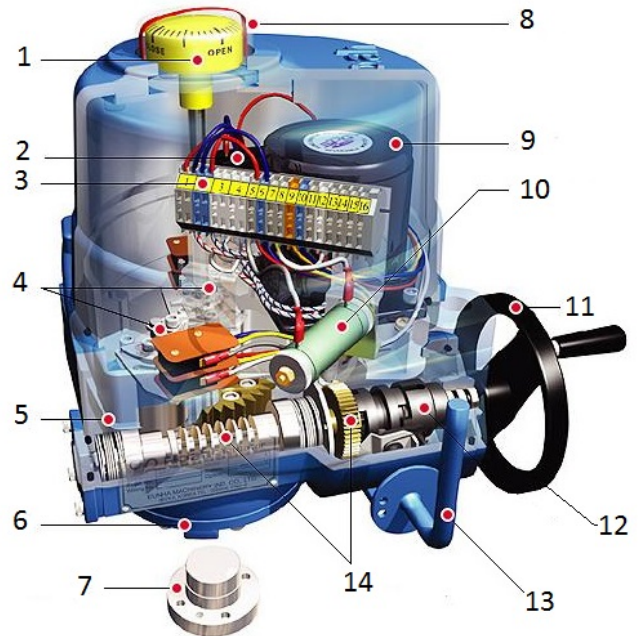
REGULATIONS AND STANDARD OF CONSTRUCTION

Machine 2006/42/CE	Connecting in the valve : ISO 5211
Low voltage 2006/95/CE	Electromagnetic compatibility 2004/108/EC
ATEX 1994/9/CE : ATEX II 2 G EEx d II B T4 – NEMKO 03ATEX1342X (electric actuator NA-X only)	

ELECTRIC ACTUATOR NA / NA-X

CONSTRUCTION

1	Position indicator	Polycarbonate
2	Condenser	
3	Terminal block	
4	Limit swithes	
5	Body	Coated Aluminium
6	Base	Coated Aluminium
7	Drive bushing	Steel
8	Dôme	Polycarbonate
9	Electric motor	
10	Resistance	
11	Handwheel	Steel
12	Manual override	Steel
13	lever clutch activated	Steel
14	Worm gear	Steel



ELECTRIC CHARACTERISTICS

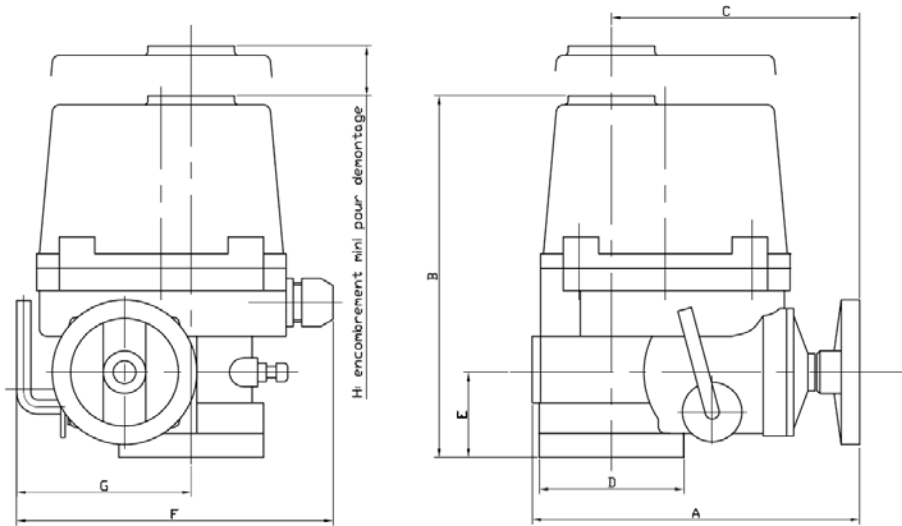
Protection of the motor	Thermal regulation	Resistance heater	20 W resitancy
Limits swithes	2 adjustable switches	Electric connecting NA	2 x P.E. M20x1.5
Auxiliary swithes	2 adjustable dry switches	Electric connecting NA-X	2 x P.E. M20x1.5 ATEX (NO SUPPLIED optional)

Actuator	NA06	NA09	NA15	NA28	NA38	NA60	NA100	NA150	NA200	NA250
Power consumption (W)	15	25	40	40	60	90	180	98	180	180
Voltage	380V – 50Hz									
Holding current (A)	0.13	0.18	0.3	0.3	0.33	0.52	0.73	0.52	0.73	0.73
Rush current(A)	0.23	0.36	0.59	0.74	0.78	1.24	1.68	0.78	1.68	1.68
Voltage	220V – 50Hz									
Holding current (A)	0.45	0.58	0.95	0.95	1.3	1.5	2.15	1.5	2.15	2.15
Rush current (A)	0.63	0.89	1.12	1.37	1.85	2.34	3.4	2.34	3.4	3.4
Voltage	24V – 50 Hz									
Holding current (A)	3.2	4.3	6.5	8.1						
Rush current (A)	6	8	12	14						
Voltage	24V CC									
Holding current (A)	2.2	3.5	4.5	6.5						
Rush current (A)	4.1	4.1	6.6	13.8						

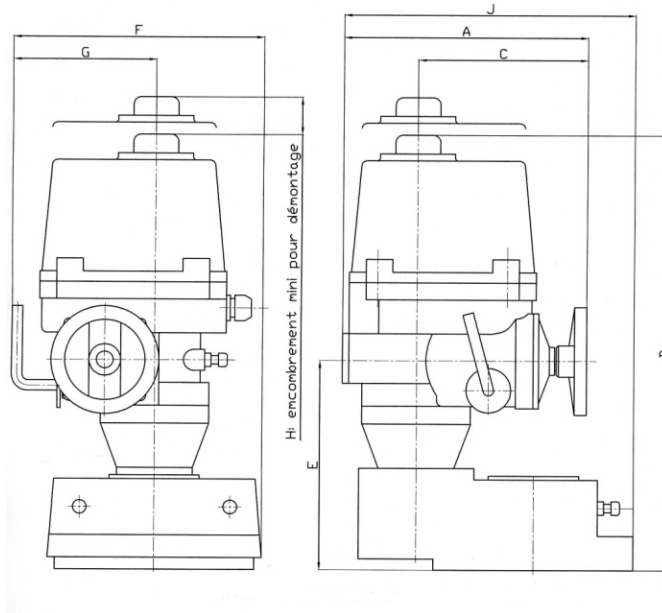
ELECTRIC ACTUATOR NA / NA-X

DIMENSIONS (mm)

NA 06 to NA 100



NA 150 to NA 250



NA	A	B	C	D	E	F	G	H
06-09	231	255	175	102	60	223	113	108
15	261	255	184	120	60	266	139	108
28-38	285	302	202	145	70	300	159	130
60-100	325	343	226	175	78	349	191	178
150-200-250	325	556	226	-	273	388	191	178

ELECTRIC ACTUATOR NA / NA-X

OPTIONS

1	NA PIU : type with feedback potentiometer
2	NA CPT : type with position transmitter 4-20 mA
3	NA PCU : type with regulation card 0-10V, 2-10V, 2-20 mA, 4-20 mA
4	NA LCU : local control unit
5	NA RBP : type with battery fail safe
6	Earthquake-resistant test
7	Type -40°C low temperature
8	IP 68 type
9	Angles of rotation 120°, 135°, 180°, 270°