



Nr. 748 / 13-11-2017

S.C. PRIMA S.R.L. Botoșani

Automatizări instalații transport fluide
Echipamente pentru abur, aer, apă, produse petrochimice
Robineți industriali, pompe, produse inox
Echipamentetratare apă

ACTIONARE PNEUMATICA SIMPLA ACTIUNE AT-S



PNEUMATIC ACTUATOR

PNEUMATIC ACTUATOR

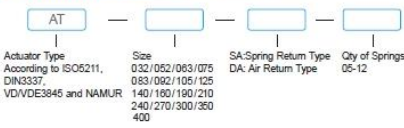


121 AT Series Pneumatic Actuator

AT Series Pneumatic Actuator 122

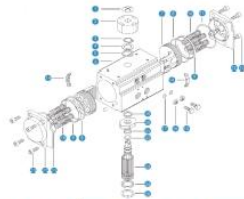


HOW TO ORDER



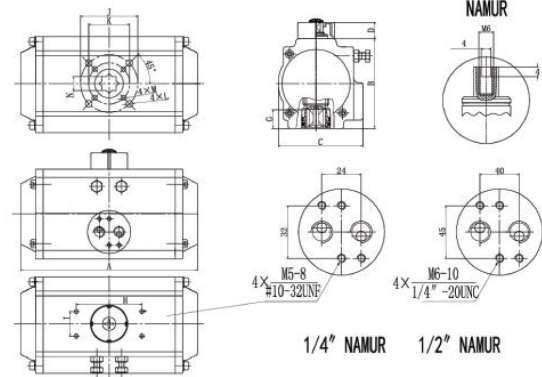
Structure

- Operating media
Dry or lubricated air, or the non-corrosive gases
The maximum particle diameter must less than 30um
- Air supply pressure
The minimum supply pressure is 2.5 Bar
The maximum supply pressure is 8 Bar
- Operating temperature
Standard: -20°C→+60°C
Low temperature: -35°C→+80°C
High temperature: -15°C→+150°C
- Stroke adjustment
Have adjustment range of ±50 for the rotation at 0° and 90°



No.	Designation	Qty	Semifinished Material	Antiseptic treatment	Optional Material
1	Indicator screw	1	Plastic		
2	Indicator	1	Plastic		
3	The Circlip	1	Stainless steel		
4	Washer	1	Stainless steel		
5	The Outer Gasket	1	PTFE		
6	cylinder block	1	Extruded aluminium alloy	Hard anodic oxidation	
7	piston	2	Extruded aluminium alloy	Hard anodic oxidation	Stainless steel
8	Piston O ring	2	NBR		Fluorine rubber . silicon rubber
9	Piston bearing	2	Engineering plastic		Fluorine rubber . silicon rubber
10	Spring assembly	0-12	Spring steel	Dipping paint	
11	The end cap O ring	2	NBR		Fluorine rubber . silicon rubber
12	The end cover	2	Extruded aluminium alloy	Powder spraying	Fluorine rubber . silicon rubber
13	End coverbolt	8	Stainless steel		
14	Piston guide	2	Engineering plastic		
15	Adjusting bolt	2	Stainless steel		
16	The adjusting screw nut	2	Stainless steel		
17	Adjusting screw gasket	2	Stainless steel		
18	The adjusting O ring	2	NBR		Fluorine rubber . silicon rubber
19	The Inner pad	1	Engineering plastic		Fluorine rubber . silicon rubber
20	Cam	1	Alloy steel		Stainless steel
21	The upper shaft bearing	1	Engineering plastic		Fluorine rubber . silicon rubber
22	The upper shaft O ring	1	NBR		Fluorine rubber . silicon rubber
23	Gear shaft	1	Alloy steel	Nickel/Chrome	
24	The lower shaft bearing	1	Engineering plastic		Fluorine rubber . silicon rubber
25	The lower shaft O ring	1	NBR		Fluorine rubber . silicon rubber

Dimension



Model	A	B	C	D	Hx1	G	N	J	K	L	M	Air Port Size
AT40	122	60	65	20	80x30	14	11	Ø50	Ø36	M6x10	M5x7.5	NAMUR G1/4"
AT52	147	72	72	20	80x30	14	11	Ø50	Ø36	M6x10	M5x7.5	NAMUR G1/4"
AT63	172	88	83	20	80x30	18	14	Ø75	Ø50	M8x13	M6x10	NAMUR G1/4"
AT75	184	100	95	20	80x30	20	14	Ø70	Ø50	M8x13	M6x10	NAMUR G1/4"
AT83	204	109	103	20	80x30	21	17	Ø70	Ø50	M8x13	M6x10	NAMUR G1/4"
AT92	262	117	109	20	80x30	22	17	Ø70	Ø50	M8x13	M6x10	NAMUR G1/4"
AT105	268	133	121	20	80x30	26	22	Ø102	Ø70	M10x16	M8x13	NAMUR G1/4"
AT125	301	155	143	20	80x30	27	22	Ø102	Ø70	M10x16	M8x13	NAMUR G1/4"
AT140	391	173	162	20	80x30	32	27	Ø125	Ø102	M12x20	M10x16	NAMUR G1/4"
AT160	458	198	174	20	80x30	34	27	Ø125	Ø102	M12x20	M10x16	NAMUR G1/4"
AT190	528	232	206	30	130x30	40	36	Ø140		M16x24		NAMUR G1/4"
AT210	532	257	226	30	130x30	40	36	Ø140		M16x24		NAMUR G1/4"
AT240	660	291	280	30	130x30	50	46	Ø165		M20x25		NAMUR G1/4"
AT270	740	330	294	30	130x30	50	46	Ø165		M20x25		NAMUR G1/2"
AT300	798	354	336	30	130x30	60	46	Ø165		M20x25		NAMUR G1/2"
AT350	860	408	385	30	130x30	60	46	Ø165		M20x25		NAMUR G1/2"
AT400	950	464	516	30	130x30	60	55	Ø254	Ø165	8-M16x25	M20x25	NAMUR G1/2"

SC PRIMA SRL

Str. Primăverii Nr. 2, Sc. B, Ap. 2, Botosani, cod 710070

Tel/Fax: 0231. 580.535

Mobil: 0746.033.149

E-mail: primabotosani@yahoo.com

Web: www.primabt.ro

Web: www.robineti-proces.ro



单作用式执行器输出力矩
single acting actuator output torque

型号 Model	弹簧数量 Spring Qty	弹簧输出扭矩(Nm) Spring output torque		输入气源压力(单位) Input air pressure(bar)									
				3.0		4.0		5.0		6.0		7.0	
				气源输出扭矩(Nm) Output torque(Nm)									
		0°	90°	0°	90°	0°	90°	0°	90°	0°	90°	0°	90°
AT52	5	4.0	6.2	8.1	5.8	12.1	9.8						
	6	4.7	7.4	7.3	4.6	11.3	8.6						
	7	5.5	8.7	6.5	3.3	10.5	7.3	14.5	11.3				
	8	6.3	9.9			9.7	6.1	13.7	10.1				
	9	7.1	11.2			8.9	4.8	12.9	8.8	16.9	12.8		
	10	7.9	12.4			8.1	3.6	12.1	7.6	16.1	11.6	20.1	15.6
	11	8.7	13.6			7.3	2.4	11.3	6.4	15.3	10.4	19.3	14.4
12	9.5	14.9					10.5	5.1	14.5	9.1	18.5	13.1	
AT63	5	6.8	10.4	14.9	11.3	22.1	18.5						
	6	8.2	12.5	13.5	9.2	20.7	16.4						
	7	9.6	14.6	12.1	7.1	19.3	14.3	26.5	21.5				
	8	10.9	16.7			18.0	12.2	25.2	19.4				
	9	12.3	18.9			16.6	10.0	23.8	17.2	31.1	24.5		
	10	13.7	20.9			15.2	8.0	22.4	15.2	29.7	22.5	36.9	29.7
	11	15.0	22.9					21.1	13.2	28.4	20.5	35.6	27.7
12	16.4	25.0					19.7	11.1	27.0	18.4	34.2	25.6	
AT75	5	10.0	15.0	20.0	15.0	30.0	25.0						
	6	12.0	18.0	18.0	12.0	28.0	22.0						
	7	14.0	21.0	16.0	9.0	26.0	19.0						
	8	16.0	24.0			24.0	16.0	34.0	26.0				
	9	18.0	27.0			22.0	13.0	32.0	23.0	42.0	33.0		
	10	20.0	30.0			20.0	10.0	30.0	20.0	40.0	30.0	50.0	40.0
	11	22.0	33.0			18.0	7.0	28.0	17.0	38.0	27.0	48.0	37.0
12	24.0	36.0					26.0	14.0	36.0	24.0	46.0	34.0	
AT83	5	15.5	23.0	30.5	23.0	46.5	39.0						
	6	18.6	27.6	27.4	18.4	43.4	34.4						
	7	21.7	32.2			40.3	29.8	56.3	45.8				
	8	24.8	36.8			37.2	25.2	53.2	41.2				
	9	27.9	41.4			34.1	20.6	50.1	36.6	65.1	51.6		
	10	31.0	46.0			31.0	16.0	47.0	32.0	62.0	47.0	77.0	62.0
	11	34.1	50.6					43.9	27.4	58.9	42.4	73.9	57.4
12	37.2	55.2					40.8	22.8	55.8	37.8	70.8	52.8	
AT92	5	23.0	33.0	44.6	34.7	67.1	57.2						
	6	27.6	39.5	40.0	28.1	62.5	50.6						
	7	32.2	46.1			57.9	44.0	80.4	66.5				
	8	36.8	52.7			53.3	37.4	75.8	59.9				
	9	41.4	59.3			48.7	30.8	71.2	53.3	93.8	75.9		
	10	46.0	65.9			44.1	24.2	66.6	46.7	89.2	69.3	111.7	91.8
	11	50.6	72.5					62.0	40.1	84.6	62.7	107.1	85.2
12	55.2	79.1					57.4	33.5	80.0	56.1	102.5	78.6	
AT105	5	31.8	49.3	66.0	48.4	98.6	81.0						
	6	38.1	59.2	59.6	38.5	92.2	71.1						
	7	44.5	69.0			85.9	61.3	118.5	93.9				
	8	50.8	78.9			79.5	51.4	112.1	84.0				
	9	57.2	88.7			73.2	41.6	105.8	74.2	138.4	106.8		
	10	63.5	98.6			66.8	31.7	99.4	64.3	132.0	96.9	164.5	129.4
	11	69.9	108.5					93.1	54.4	125.7	87.0	158.2	119.5
12	76.2	118.3					86.7	44.6	119.3	77.2	151.8	109.7	
AT125	5	50.0	78.0	100	72	150	122						
	6	60.0	93.6	90	56	140	106						
	7	70.0	109.2			130	91	181	142				
	8	80.0	124.8			120	75	171	126				
	9	90.0	140.4			110	60	161	110	211	161		
	10	100.0	156.0			100	44	151	95	201	145	251	195
	11	110.0	171.6					141	79	191	129	241	179
12	120.0	187.2					131	64	181	114	231	164	
AT140	5	86.0	129.0	174	131	261	218						
	6	103.2	154.8	157	105	244	192						
	7	120.4	180.6			227	166	314	253				
	8	137.6	206.4			209	141	296	228				
	9	154.8	232.2			192	115	279	202	366	289		
	10	172.0	258.0			175	89	262	176	349	263	436	350
	11	189.2	283.8					245	150	332	237	585	324
12	206.4	309.6					228	124	315	211	402	298	